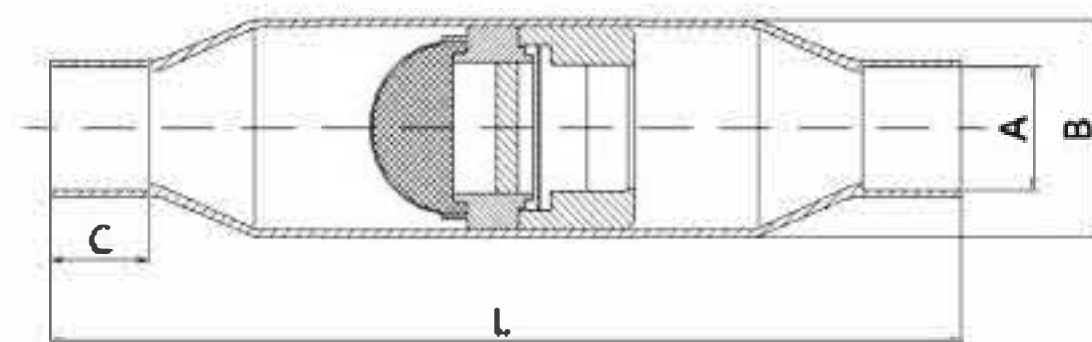


DXF SERIES DIAPHRAGM CHECK VALVE DXF系列膜片式单向阀



DXF系列膜片式单向阀采用滤网、磁铁、膜片自吸结构设计，从而使单向阀不受安装角度限制和反向压力大小的关系影响阀门的自动闭合，具有极小的流通阻力、流量大、内泄漏量几乎为零等特点，使空调能效比大有提高，使用寿命1000万次以上。该阀适用于所有制冷剂和大中型冷热空调系统。为保证产品正常闭合，内置滤网30目。

DXF series diaphragm type one-way valve with self suction filter structure design, magnet, diaphragm, so that the valve can be automatically closed relationship between valve installation size and angle limit reverse pressure, with small flow resistance, large flow, internal leakage is almost zero, and other characteristics, the energy efficiency is better than that. The service life of more than 10 million times. The valve is suitable for all refrigerants and large and medium sized cold and hot air conditioning systems. In order to ensure the normal closure of the product, the built-in filter screen is 30 mesh.

技术参数 Specifications

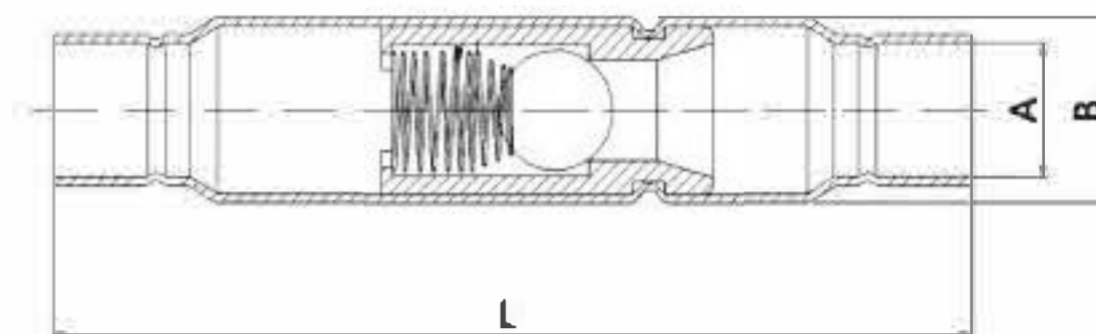
型号 Type	最大工作压力 Mpa Max Working Pressure	耐压 Mpa Pressure Endurance	开启压 Mpa Opening Pressure	泄漏量 cm ³ /min (Air) Leaking Capacity	流量 m ³ /h CV
DXF-06	4.5	21.5	0.01	50	0.92
DXF-08	4.5	21.5	0.01	50	1.86
DXF-10	4.5	21.5	0.01	50	3.48
DXF-12	4.5	21.5	0.01	50	5.61
DXF-14	4.5	21.5	0.01	50	7.74
DXF-18	4.5	18.0	0.02	100	13.38
DXF-22	4.5	18.0	0.02	150	23.28
DXF-26	4.5	18.0	0.03	150	27.42
DXF-34	4.5	15.0	0.05	200	46.44
DXF-42	4.5	15.0	0.05	300	67.80
DXF-50	4.5	15.0	0.05	300	81.52

主要外形尺寸 Dimensions

型号 Type	接口内径A Inner Diameter of Connection		阀体直径B Diameter of Valve Body		插口深度C Socket Depth	长度L Length (l)
	Inch	mm	Inch	mm	mm	mm
DXF-06	3/8	9.6	7/8	22.0×1.0	8	100.0
DXF-08	1/2	12.7	1-1/8	28.6×1.1	14	127.0
DXF-10	5/8	16.1	1-1/8	28.6×1.1	14	127.0
DXF-12	3/4	19.1	1-1/8	28.6×1.1	14	127.0
DXF-14	7/8	22.3	1-3/8	28.6×1.1	18	127.0
DXF-18	1-1/8	28.6	1-3/4	45.0×1.65	18	206.0
DXF-22	1-3/8	35.1	2-5/8	66.0×2.0	25	245.0
DXF-26	1-5/8	42.0	2-5/8	66.0×2.0	25	250.0
DXF-34	2-1/8	54.0	3-4/8	89.0×2.5	25	300.0
DXF-42	2-5/8	67.5	4-1/8	105.0×2.5	30	310.0
DXF-50	3-1/8	80.5	4-1/8	105.0×2.5	30	310.0

DXF(A) SERIES STEEL BALL CHECK VALVE

DXF(A)系列钢球式单向阀



DXF(A)钢球式单向阀是球形弹簧设计，金属和金属密封，钢球周围的直通型流道设计，使小直径的阀体能输出大流量，全部金属设计，允许安装和运行时的高温。

DXF(A) is a spherical ball type one-way valve spring design, metal and metal sealing, straight through flow design around the ball, the valve can output large flow of small diameter, all metal design, installation and operation of the high temperature allowed.

主要零件材料 Materials of Main Parts

零部件名称 Item	材料牌号或名称 Material
阀门 Valve Seat	Hpb59-1
钢管 Copper Tube	TP2
弹簧 Spring	不锈钢 Stainless steel
钢球 Steel Ball	3Gr13

技术参数 Specifications

型号 Type	最大工作压力 Mpa Max Working Pressure	耐压 Mpa Pressure Endurance	开启压 Mpa Opening Pressure	泄漏量 cm ³ /min (Air) Leaking Capacity	流通量 cc/min Passing Capacity	2psi 压降的流量 (冷却) Preddure Droy Capacity (tons)		
						R-12	R-22	R-502
DXF-6A	4.5	21.5	0.02	500	≥750	3.8	5.0	3.3
DXF-8A	4.5	21.5	0.02	500	≥750	6.8	9.0	6.0
DXF-10A	4.5	21.5	0.05	500	≥950	12.8	17.0	11.3
DXF-14A	4.5	21.5	0.05	500	≥1250	26.3	35.0	23.5
DXF-18A	4.5	21.5	0.065	800	≥1650	69.1	92.0	61.8

主要外形尺寸 Dimensions

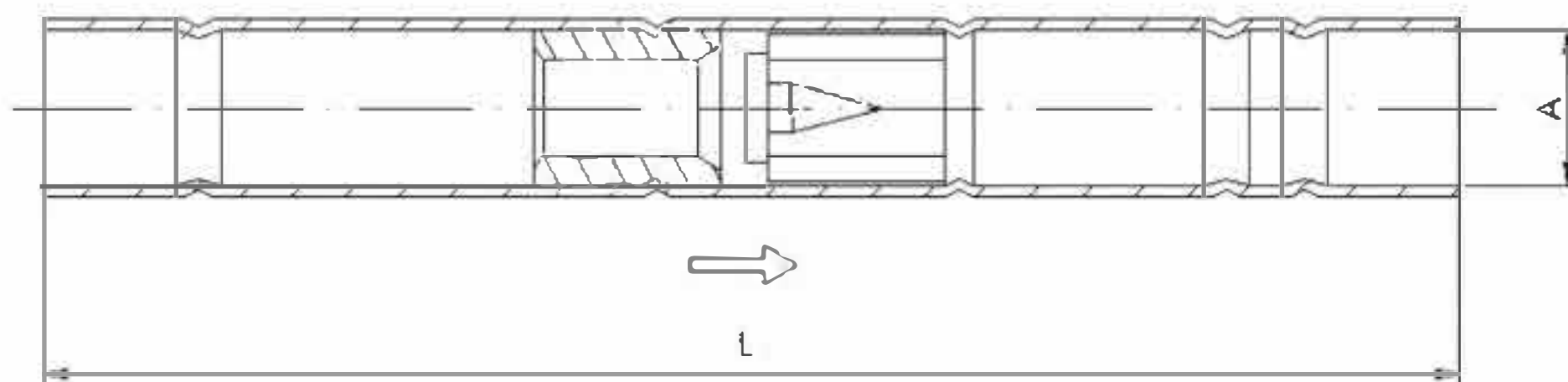
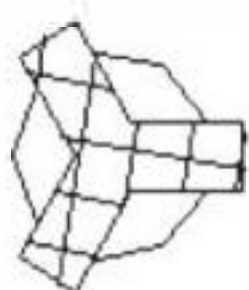
型号 Type	接口内径A Inner Dimeter of Connection		阀体直径B Dimeter of Valve Body		长度L Length (l)	
	Inch	mm	Inch	mm	Inch	mm
	DXF-6A	3/8	9.7	1/2	12.00	4.7
DXF-8A	1/2	12.8	5/8	15.88	3.7	95.0
DXF-10A	5/8	16.1	7/8	22.00	4.5	114.0
DXF-14A	7/8	22.3	1-1/8	28.60	4.5	114.0
DXF-18A	1-1/8	28.6	1-3/8	35.00	5.0	127.0

DXF SERIES TEFLON CHECK VALVE DXF系列四氟单向阀



DXF系列四氟单向阀采用聚四氟乙烯设计，聚四氟乙烯与金属面密封，独特的结构设计，使该产品寿命提高2倍，主要适用于家用及商用空调。

DXF series teflon check valve adopts polytetrafluoroethylene design, Teflon and metal surface seal, unique structural design, so that the product life increased by 2 times, mainly for domestic and commercial air conditioning.



技术参数 Specifications

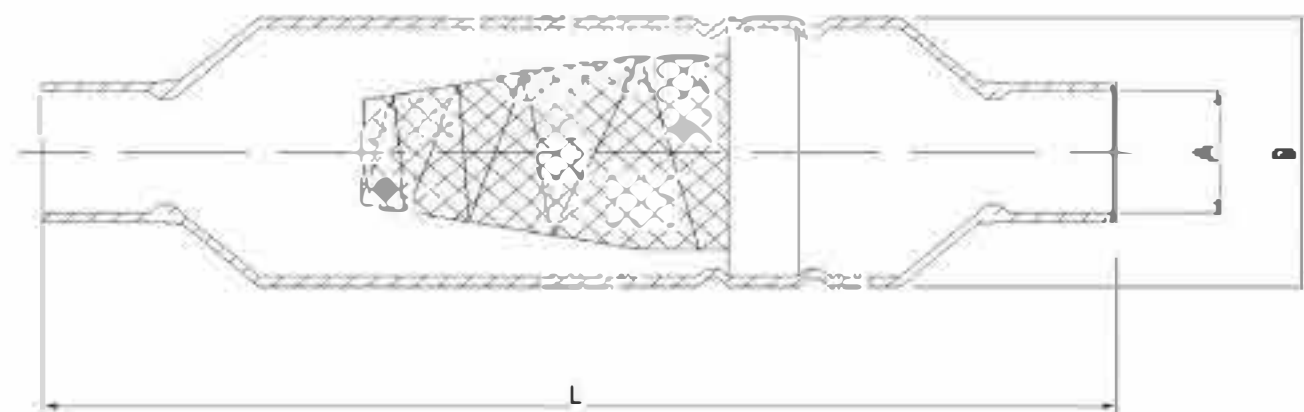
型号 Type	工作压力 Mpa Working Pressure	内泄漏量 cm ³ /min (Air) Leaking Capacity	接口内径 mm Inner Diameter of Connection	长度 L Length
DXF-02V	4.5	≤100	Φ16.1	150
DXF-06V	4.5	≤100	Φ12.9	140

THG SERIES FILTER THG系列过滤器



该袋状过滤器内置网比一般网增加了三倍，降低了流量阻力，提高了性能等特点。

The bag filter built-in network than the average network has increased threefold, reducing the flow resistance, improved performance and so on.



技术参数 Specifications

型号 Type	接口尺寸 A Interface size	总长 L Length	材料 B Material	袋状网目数 Pocket Network Mesh Number
THG-9.6	Φ 9.7	120	TP2Φ32*1	80
THG-12.7	Φ 12.8	120	TP2Φ32*1	80
THG-16	Φ 16.2	120	TP2Φ32*1	80
THG-19	Φ 19.2	120	TP2Φ32*1	80
THG-22	Φ 22.3	130	TP2Φ45*1.6	80
THG-28	Φ 28.7	130	TP2Φ45*1.6	80
THG-35	Φ 35.2	130	TP2Φ45*1.6	80
THG-42	Φ 41.4	130	TP2Φ45*1.6	80
THG-54	Φ 54.0	220	TP2Φ66*2.0	60

COOPERATIVE PARTNER >>

合作伙伴



期待您的加入，我们将为您提供优质的产品与服务
Waiting for your joining, we will provide you high quality products and services

公司产品已远销美国、日本、澳大利亚、加拿大、新加坡、泰国、欧洲、南美、中东等十多个国家和地区，得到了众多中央空调生产厂商的一致认可与好评。

Company products have been exported to the United States, Japan, Australia, Canada, Singapore, Thailand, Europe, South America, the Middle East and other more than 10 countries and regions, has been a number of central air-conditioning manufacturers unanimously recognized and praised.

PRODUCTS DISPLAY >>

产品展示

